

Digistat⁺ RF Room Thermostat



Drayton's stylish Digistat⁺ RF with tactile, audible & visual feedback. Featuring a familiar dial control with a digital display to show that the temperature has been set accurately every time.

- User adjustable Set-back feature – at the push of a button
- User adjustable Min/Max temperature setting
- Digital Display situated above dial is easy to read

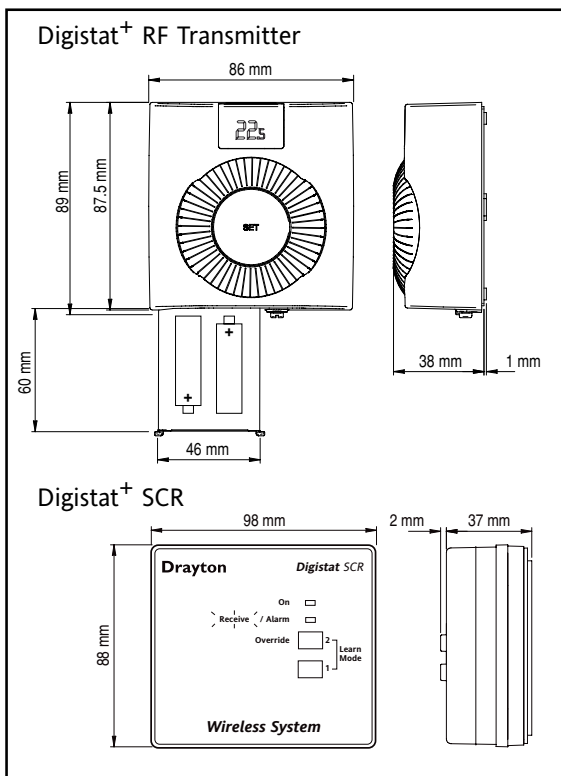
The product can be configured with a minimum temperature setting to protect the vulnerable.

Digistat⁺ RF Room Thermostat

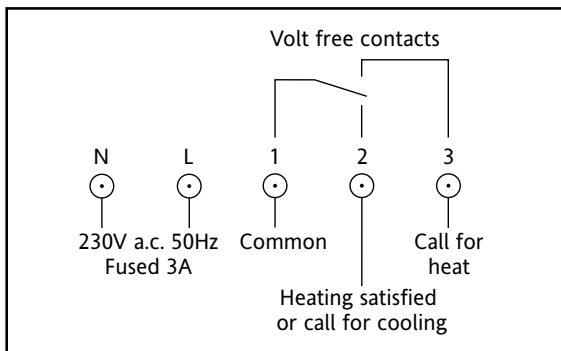
Features

- Conventional dial adjustment
- Tactile dial
- 1°C setting steps
- Tactile & audible feedback via click of the dial.
- Visual feedback via digital display
- Set-back feature
- Min/Max temperature setting
- Battery powered
- Digital display situated above dial is easy to read

Dimensions



SCR Receiver wiring



Technical Data

Digistat⁺ RF

Power supply	2 x AA Size, 1.5V alkaline batteries
Radio frequency:	
RF version:	433 MHz
Radio Signal Range:	30m typically. The range may be affected by the composition / density and number of walls between the Digistat ⁺ RF and SCR.
Temperature Range:	5 to 30°C
Control Accuracy:	+ 0.5K @ 20°C
Ambient Temperature:	Operating 0°C to 40°C / Storage -20°C to 55°C
Mounting:	Suitable for surface or outlet box mounting
Wiring:	No wiring required

Single Channel Receiver (SCR)

Power supply:	230V a.c. 50 Hz
Switch Type & Rating:	SPDT (voltage free) 2(1)A 230V a.c. or 23V a.c./d.c.
Wiring:	Designed for fixed wiring only, to comply with current IEE regulations.
Reception Frequency:	433 MHz
Relevant EC Directives	2006/95/EC Low Voltage Directive 2004/108/EC Electromagnetic Compatibility Directive 1995/5/EC R&TTE Directive 2006/66/EC Battery Directive
Applied Standards:	EN60730-1; EN60730-2-9 ETSI EN 300 220-3; ETSI EN 301 489-3

Benefits of Wireless Systems

The Digistat⁺ Wireless System provides a cost effective solution to the problems encountered during the installation of a standard wired room thermostat.

Consider the benefits of a wireless thermostat:

- No carpets and floor-boards to lift
- No damage to wall coverings
- No unsightly surface wiring
- Positioning no longer restricted to areas accessible by cable runs
- No brick or plaster work to chase out
- No damage to fabrics and furnishings in the process.

Available from:

invenSYS
Controls

Customer Service Tel: 0845 130 5522
Customer Service Fax: 0845 130 0622
Technical Helpline Tel: 0845 130 7722
Email: customer.care@invensys.com
Website: www.draytoncontrols.co.uk



D64-7