

MODEL		DN	Kvs [m <sup>3</sup> /h]	STROKE [mm]
2-WAY	3-WAY			
2TIA20L	3TIA20	20	6,3	10
2TIA25L	3TIA25	25	10	15
2TIA32L	3TIA32	32	16	20
2TIA40L	3TIA40	40	25	20
2TIA50L	3TIA50	50	40	20
2TIA65L	3TIA65	65	63	20



### APPLICATION AND USE

The 2TIA.L and 3TIA valves are control globe valves entirely made of stainless steel (AISI304) for applications in heating or refrigeration circuits in HVACR and industrial (e.g. food).

### TECHNICAL CHARACTERISTICS

Fluid	Group 2 *
Fluid temperature	-10÷150 °C
Operating pressure	1600 kPa (PN16)
Flow characteristics	Linear
Percentage leakage 3-WAY	Max. 0,02% of kvs value
Percentage leakage 2-WAY	Tight shut-off
Connection	Internally threaded
Maintenance	No maintenance needed

\* Group 2: water, superheated water, water with glycol 50% max., steam. For fluids belonging to group 2 other than those indicated, contact the Technical Secretariat.

### MATERIALS

Valve body	AISI304 stainless steel
Plug	AISI304 stainless steel
Steam	AISI304 stainless steel
Lower seat	AISI304 stainless steel
Cap (only for 2-WAY)	AISI304 stainless steel
O-Ring	EPDM
Gasket (only for 2-WAY)	PTFE

Controlli S.p.A.  
16010 Sant'Olcese (GE)  
Tel. 010 73 06 1  
Fax. 010 73 06 870/871  
[www.controlli.eu](http://www.controlli.eu)

### INSTALLATION

Before valves are mounted, make sure that pipes are clean, free from welding slags, that are perfectly lined up with valve body and not subjected to vibrations.

The valve can be mounted in any position except upside-down. While assembling, respect the flow directions indicated by the letters located on the valve body (see Fig. 1 and 2) and the application schemes.

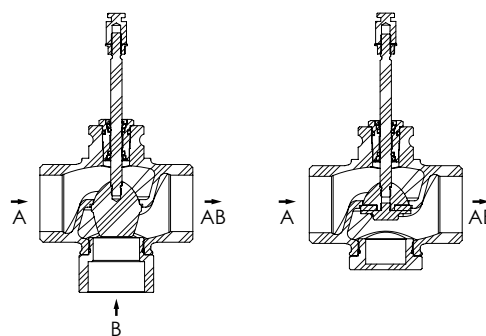


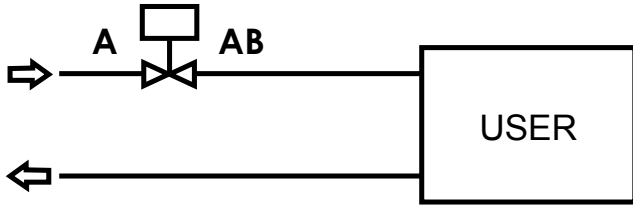
FIG. 1

FIG. 2

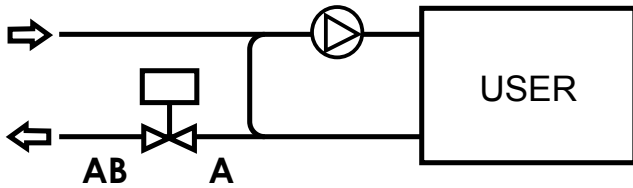
## APPLICATION SCHEMES

### 2-way valves

a) Variable flow control

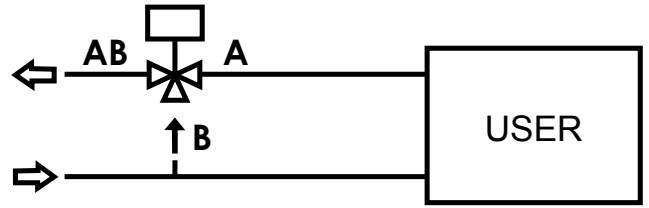


b) Constant flow when used in injection circuits

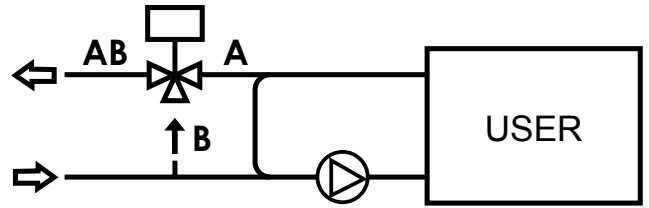


### 3-way valves

c) Variable flow mixing



d) Constant flow mixing when used in injection or tapping circuits



## MAX CLOSE-OFF DIFFERENTIAL PRESSURE [kPa]

MOD.	DN	Kvs [m <sup>3</sup> /h]	MVE204 MVE504 400N		MVE206 MVE506 600N		MVE210 MVE510 1000N		MVE215 MVE515 1500N		MVE222 MVE522 2200N		MVH56EA MVH56EC 700N	
			A-AB	B-AB	A-AB	B-AB	A-AB	B-AB	A-AB	B-AB	A-AB	B-AB	A-AB	B-AB
2TIA.L 3TIA  (for 2TIA.L only A-AB)	20	6,3	1090	1000	1600	1600	1600	1600	1600	1600	1600	1600	1600	1600
	25	10	700	540	1050	930	1600	1600	1600	1600	1600	1600	1280	1115
	32	16	460	360	720	610	1210	1110	1600	1600	1600	1600	840	730
	40	25	340	265	530	460	900	830	1370	1300	1600	1600	620	550
	50	40	200	160	320	258	550	510	840	800	1250	1200	380	340
	65	63	110	95	180	160	310	295	480	460	710	690	210	195

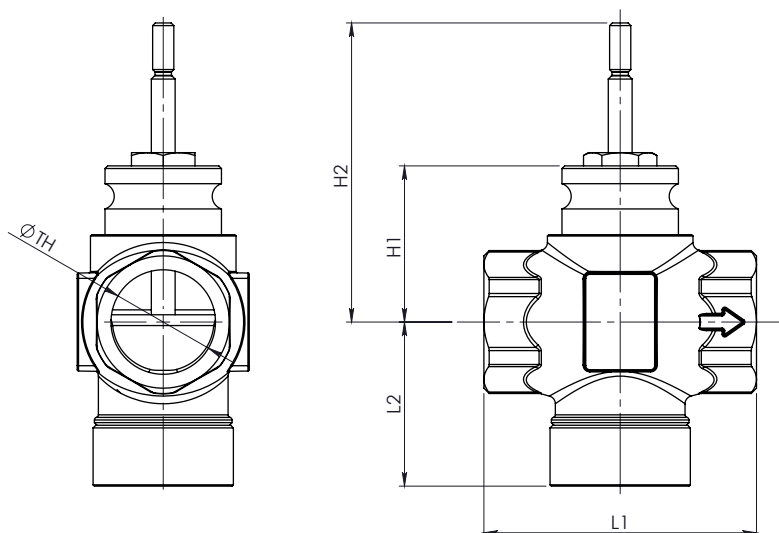
## MAXIMUM DIFFERENTIAL PRESSURE [kPa]

The maximum differential pressure control, that is the usable pressure within the stroke, is influenced by wear phenomena between seat and shutter and by the maximum performance guaranteed by the actuator for the valve in question. Therefore it is recommended not to exceed the differential pressure of 600 kPa.

N.B. : The maximum operating pressures at the different temperatures for the various PN classes must correspond to what is indicated in the following standards: UNI 1092-2 and UNI 12516.

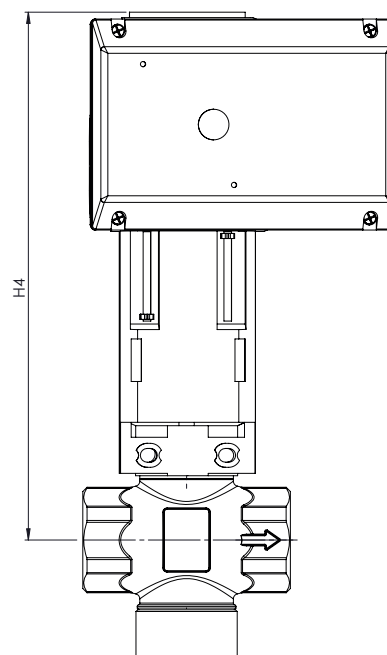
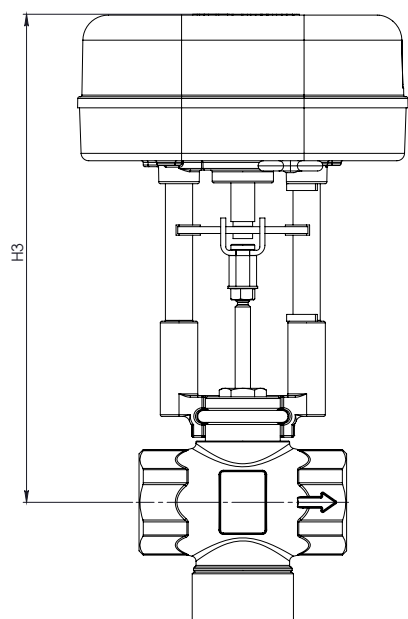
COD.		H1	H2	H3	H4	L1	L2		TH
							3-WAY	2-WAY	
2TIA20L	3TIA20	28	118	279	302	80	51	40	G 3/4"
2TIA25L	3TIA25	33	118	284	307	100	55	44,5	G 1"
2TIA32L	3TIA32	59	113	284	307	103	62	47	G 1 1/4"
2TIA40L	3TIA40	36	116	287	310	122	71	52	G 1 1/2"
2TIA50L	3TIA50	43	123	294	317	138	85	66	G 2"
2TIA65L	3TIA65	53	133	304	327	160	100	77	G 2 1/2"

All part numbers are available with VICTAULIC connections



WITH MVE

WITH MVH



The performances stated in this sheet can be modified without any prior notice